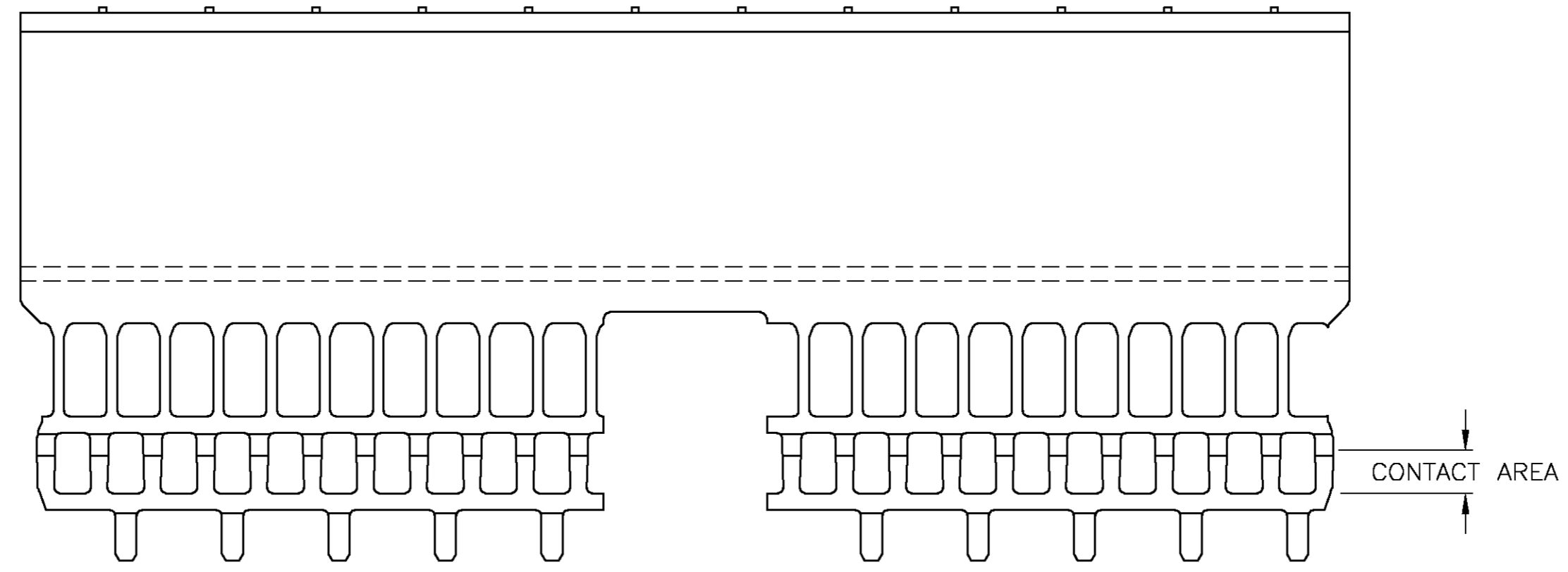
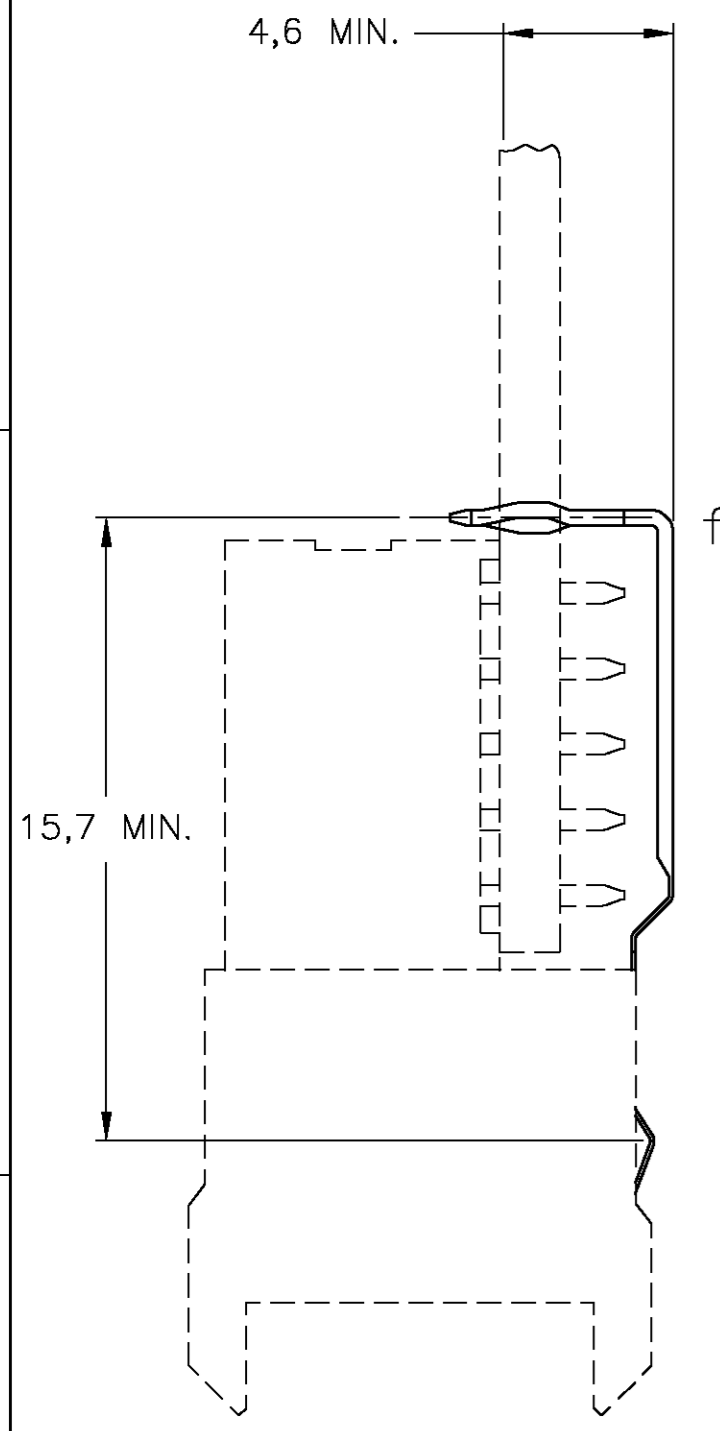
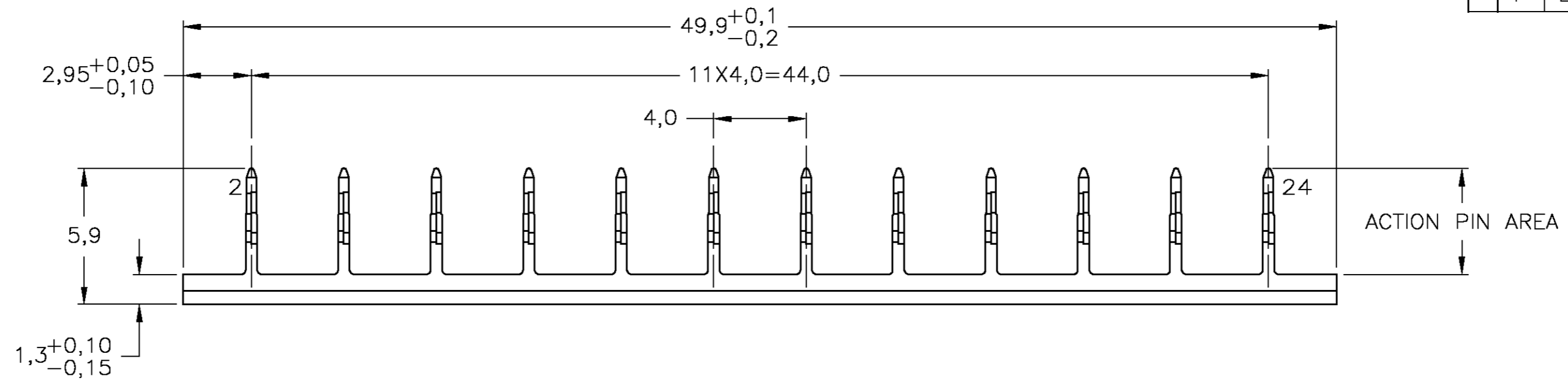


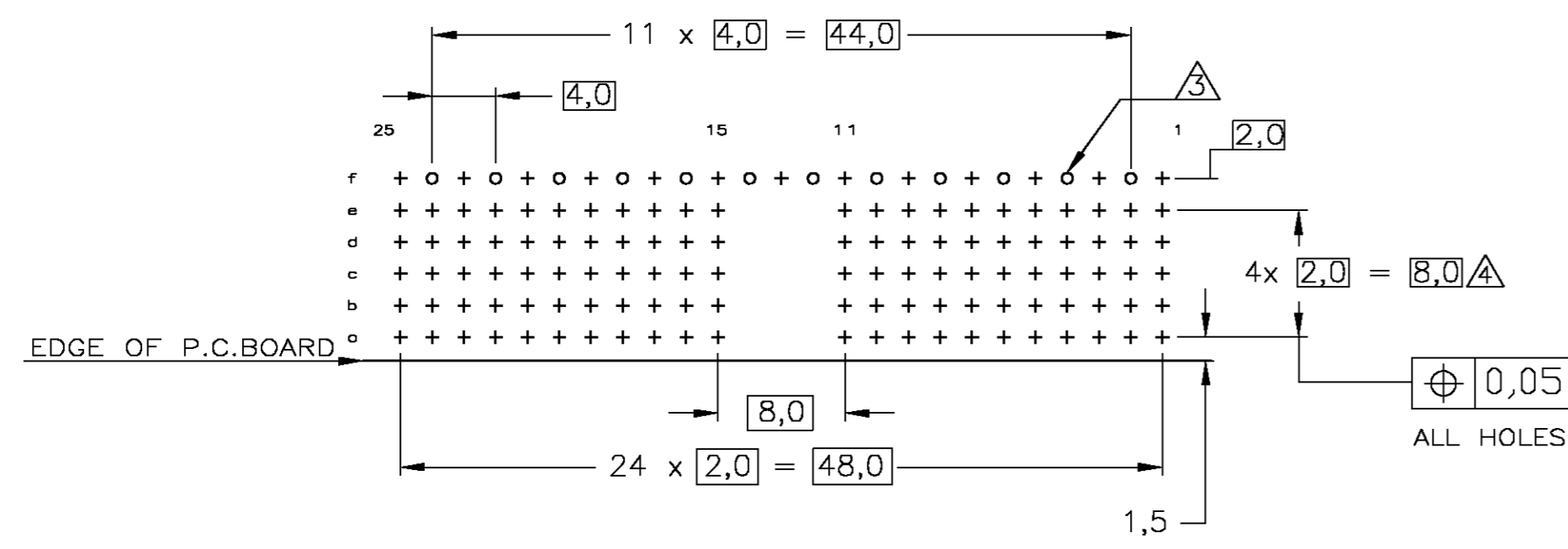
THIS DRAWING IS UNPUBLISHED. RELEASED FOR PUBLICATION
 © COPYRIGHT BY TYCO ELECTRONICS CORPORATION. ALL RIGHTS RESERVED.

LOC	DIST	REVISIONS			
P	LTR	DESCRIPTION	DATE	DWN	APVD
F		ECR-05-005975	30-JUN-05	BM	JB



NOTES:

- ⚠ PLATING:
 CONTACT AREA: 0,76µm Au MIN. OVER 1,27µm Ni MIN.
 ACTION PIN : 0,5µm SnPb MIN.
 REMAINDER : Ni
 - ⚠ MATERIAL; PHOSPHORBRONZE.
 - ⚠ ROW "f" 12 PLATED THROUGH HOLES FOR LOWERSHIELD.
 - ⚠ HOLE PATTERN FOR FEMALE CONNECTOR TYPE A WITH
 UPPERSHIELD, 110+13 PLATED-THROUGH HOLES AT 2x2mm SQUARE GRID.
 - 5 MAX. BOARD THICKNESS 3,5 mm.
 - ⚠ SHIELDS LUBRICATED WITH BELLCORE APPROVED LUBRICANT.
- TECHNICAL REF: TR-NWT-001217 ISSUE 1, SEPT. 1992.



COMPONENT SIDE AS SHOWN
 RECOMMENDED PCB-HOLE LAY-OUT

P.C.B. HOLE DIM. ACTION PIN
 FOR DETAILS SEE
 APPLICATION SPECIFICATION

THIS DRAWING IS A CONTROLLED DOCUMENT.		DWN D. TRUREN 27-11-96	Tyco Electronics Corporation	
		CHK W. v.d.HEIJDEN 27-11-96	's-Hertogenbosch, 5222AR-32	
DIMENSIONS: mm		APVD F. v.KONINGSBRUGGE	NAME	
TOLERANCES UNLESS OTHERWISE SPECIFIED:		PRODUCT SPEC 108-19082	Z-PACK 2mm HM	
0 PLC ± -		APPLICATION SPEC 114-19029	GROUND RETURN LOWER SHIELD	
1 PLC ± -		WEIGHT -	SIZE A2	CAGE CODE 00779
2 PLC ± -		CUSTOMER DRAWING	DRAWING NO C=338108	RESTRICTED TO -
3 PLC ± -		SCALE 5:1	SHEET 1 OF 1	REV F
4 PLC ± -				
ANGLES ± -				
FINISH -				